

SFS

SPINAL FIXATION SYSTEM

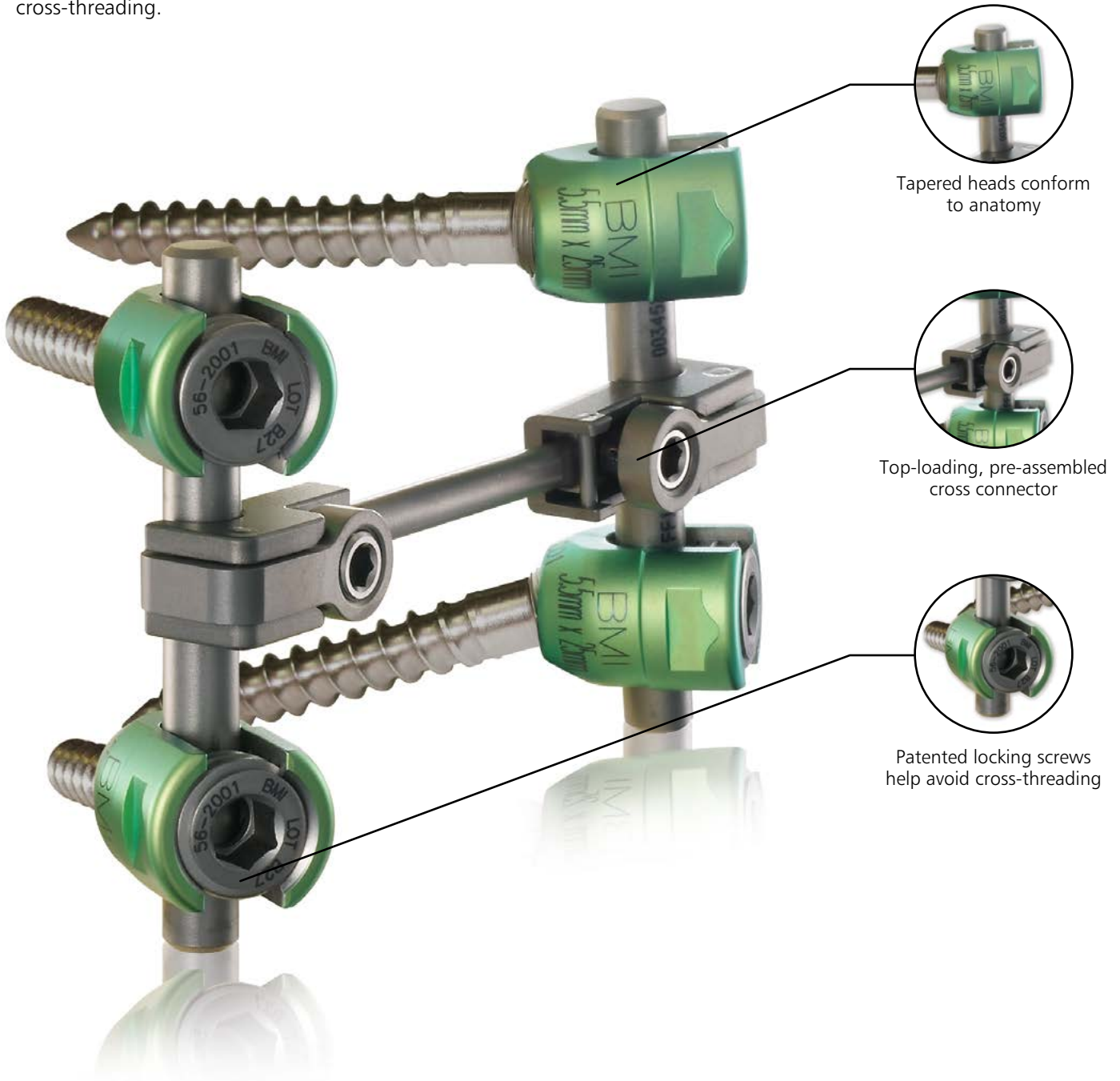


SFS

SPINAL FIXATION SYSTEM

The SFS System provides simple, reliable and comprehensive stabilization solutions for spinal fixation. Its patented innovations enable surgeons to work efficiently with surety.

The pedicle screws provide a full 42° multi-axial range of motion that, in conjunction with their uniquely tapered heads, are more accommodating to variables in patient anatomy/pathology. This simplifies screw placement and reduces the need for rod bending. Additionally, the fixation screw utilizes patented buttress threads that minimize the potential for misalignment or cross-threading.



Depth of Sizes in Supplementary Fixation Implants

SFS offers more solutions for the surgeon with a broad selection of spacers, washers, staples, rod connectors and reduction screws. Our 3.0mm to 5.5mm rod-to-rod connectors adjoin SFS with the Ascent and Ascent LE POCT (Posterior Occipital Cervical Thoracic) Systems, and our 5.5mm to 5.5mm rod connectors create a contiguous assembly with coaxial or parallel rod attachment.

- A wide array of standard and self-tapping pedicle screws for added versatility
- A broad selection of reduction screws

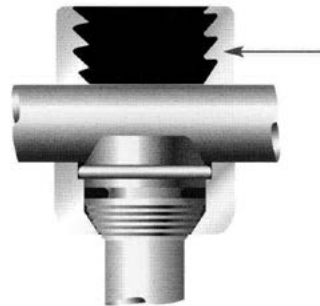


Offering a broad selection of implants to meet surgical needs

Innovative Design Simplifies Procedures

The SFS design is elegant in its simplicity. The single closure locking mechanism for all implants means more efficiency. The multi-axial cross connectors provide multiple ranges of motion (rotation, angulation, translation) yet require only two lock-down screws to be secured. The cross connectors also feature one-step-locking for additional construct stability and a top loading design, so there's no need for patient repositioning.

- Advanced buttress thread design allows simple and secure engagement of the set screw
- The Multi-Axial Cross-Connectors permit three planes of manipulation
- Self-adjusting taper lock design in the multi-axial screw creates a secure and strong locking mechanism



Innovative design increases axial forces on the rod and minimizes the potential for mis-alignment and cross-threading of the set screw

Offering a broad selection of Reduction and Pedicle Screws



Reduction Screws



Simple Yet Comprehensive, Reliable and Amazingly Versatile

The Spinal Fixation System's (SFS) pedicle screw and rod assembly offers an expansive, low-profile and efficient spinal fixation system able to address the most complex spinal pathologies. Each component of the system has been engineered to match the real conditions surgeons face during a procedure, utilizing patented design advantages to benefit both surgeon and patient.

The Right Tools

Easy-to-use SFS pedicle screw system instruments and implants provide reliable, simple, and secure spinal fixation.

- Color-coded for easy selection during procedures; ergonomic case/tray system
- Interchangeable ratcheting instrument handles



- A. Multi-Axial Reduction Screw Driver
- B. Rigid Hook Holder
- C. Hook Pusher
- D. Bone Tap
- E. Mono-Axial Reduction Screw Driver

Instruments

Part #	Description
52-1035	F-F Implant Inserter
55-1001	Bone Awl
55-1002	Straight Bone Probe
55-1003	Curved Bone Probe
55-1004	Straight Sounder
55-1005	Curved Sounder
55-1006	X-Ray Marker, Right
55-1007	X-Ray Marker, Left
55-1025	5.5mm Bone Tap
55-1026	6.5mm Bone Tap
55-1027	7.5mm Bone Tap
55-1028	8.5mm Bone Tap
55-1030	Ratcheting Handle
55-1031	Ratcheting T-Handle
55-1035	Mono-Axial Screw Driver
55-1036	Multi-Axial Screw Driver, Nut
55-1037	Multi-Axial Screw Driver, Wing
55-1041	Pin Cutter
55-1042	Rod Bender
55-1043	Rod Holder
55-1044	Rocker
55-1045	Locking Pliers
55-1046	In-Situ Rod Bender, Right
55-1047	In-Situ Rod Bender, Left
55-1048	Linear Rod Reducer
55-1049	Rod Pusher
55-1050	Screw Sizing Template
55-1060	Set Screw Driver/Holder
55-1061	Set Screw Driver (w/ 55-1065)
55-1062	Set Screw Intermediate Driver
55-1063	Multi-Axial Adjustment Driver
55-1064	Self-Centering Set Screw Driver (Only use with 55-1069)
55-1065	Deflection Beam Torque Wrench (non-ratchet)
55-1066	Set Screw Counter Torque Wrench
55-1067	Torque T-Handle 120 in-lbs
55-1068	Torque T-Handle 100 in-lbs
55-1069	Self-Center Counter Torque Wrench
55-1070	Hook Spreader (Distractor)
55-1071	Compressor
55-1072	Cross Connector Bender, Left
55-1073	Cross Connector Bender, Right
55-1089	Cross Connector Torque Limiting Driver/13-in-lbs
55-1090	SFS Case #1
55-1091	SFS Case #2

Instruments (Cont.)

Part #	Description
55-1093	SFS Case #3
55-1095	Cross Conn. Template 30 & 35mm
55-1096	Cross Conn. Template 40 & 45mm
55-1097	Cross Conn. Template 50 & 55mm
55-1098	Cross Conn. Template 60 & 65mm
55-1099	Cross Conn. Template 70, 75 & 80mm
55-1150	Staple Holder/Impactor

Disposable Instruments

Part #	Description
55-1055	Trial Rod 90mm
55-1056	Trial Rod 200mm
55-1057	Trial Rod 450mm

Reduction Screw Instruments

Part #	Description
59-0100	Anti-Splay Tool
59-0200	Scalloped Anti-Splay Tool
59-0300	Reduction Screw Head Adjuster
59-0400	Tab Removal Tool
59-1035	Mono-Axial Reduction Screw Driver
59-1037	Multi-Axial Reduction Screw Driver
59-1090	SFS Reduction Screw Sterilization Case

Hook Instruments

Part #	Description
57-0001	Reg Hook Holder, Straight
57-0003	Reg Hook Holder, Angled
57-0005	Lateral Hook Holder, Straight
57-0007	Lateral Hook Holder, Angled
57-0009	Rod Rocker
57-0020	Rigid Hook Holder
57-0022	Hook Linear Rod Reducer (Compressor)
57-0023	Hook Pusher
57-0025	Hook, Lateral Rod Reducer
57-0026	Lever, Hook Lateral Rod Reducer (Compressor)
57-0027	Set Screw Driver (Spline Drive)
57-0035	Transverse Process Elevator
57-0037	Pedicle Elevator
57-0040	Lamina Elevator
57-0045	Set Screw Driver/Holder
57-0047	Hook Set Screw Torque T-Handle/80 in lbs
57-0050	Combination Wrench, 5mm
57-0051	Rod Clamp
57-1015	Cross Conn Template - 15 & 17mm
57-1019	Cross Conn Template - 19 & 21mm
57-1023	Cross Conn Template - 23 & 25mm
57-1090	Hook Instrument Case

4.5mm Instruments

Part #	Description
57-0010	4.5mm Bone Tap w/35mm Stop
57-0011	3.5mm Bone Tap w/30mm Stop
57-0030	Bone Probe Curved 4.5mm
57-0032	Bone Probe Straight 4.5mm
57-0042	Bone Awl
55-1093	Ancillary Instrument Case #3, Deformity

Standard Multi-Axial Screws

Part #	Description
56-3425	4.5mm x 25mm
56-3430	4.5mm x 30mm
56-3435	4.5mm x 35mm
56-3440	4.5mm x 40mm
56-3445	4.5mm x 45mm
56-3450	4.5mm x 50mm
56-3455	4.5mm x 55mm
56-3460*	4.5mm x 60mm
56-3465*	4.5mm x 65mm
56-3470*	4.5mm x 70mm

Standard Multi-Axial Screws (Cont.)

Part #	Description
56-3525	5.5mm x 25mm
56-3530	5.5mm x 30mm
56-3535	5.5mm x 35mm
56-3540	5.5mm x 40mm
56-3545	5.5mm x 45mm
56-3550	5.5mm x 50mm
56-3555	5.5mm x 55mm
56-3560*	5.5mm x 60mm
56-3565*	5.5mm x 65mm
56-3570*	5.5mm x 70mm
56-3575*	5.5mm x 75mm
56-3625	6.5mm x 25mm
56-3630	6.5mm x 30mm
56-3635	6.5mm x 35mm
56-3640	6.5mm x 40mm
56-3645	6.5mm x 45mm
56-3650	6.5mm x 50mm
56-3655	6.5mm x 55mm
56-3660	6.5mm x 60mm
56-3665*	6.5mm x 65mm
56-3670*	6.5mm x 70mm
56-3675*	6.5mm x 75mm
56-3680*	6.5mm x 80mm
56-3725	7.5mm x 25mm
56-3730	7.5mm x 30mm
56-3735	7.5mm x 35mm
56-3740	7.5mm x 40mm
56-3745	7.5mm x 45mm
56-3750	7.5mm x 50mm
56-3755	7.5mm x 55mm
56-3760	7.5mm x 60mm
56-3765*	7.5mm x 65mm
56-3770*	7.5mm x 70mm
56-3775*	7.5mm x 75mm
56-3780*	7.5mm x 80mm
56-3825	8.5mm x 25mm
56-3830	8.5mm x 30mm
56-3835	8.5mm x 35mm
56-3840	8.5mm x 40mm
56-3845	8.5mm x 45mm
56-3850	8.5mm x 50mm
56-3855	8.5mm x 55mm
56-3860	8.5mm x 60mm
56-3865*	8.5mm x 65mm
56-3870*	8.5mm x 70mm
56-3875*	8.5mm x 75mm
56-3880*	8.5mm x 80mm

Self-Tapping Multi-Axial Screws

Part #	Description
58-3425	4.5mm x 25mm
58-3430	4.5mm x 30mm
58-3435	4.5mm x 35mm
58-3440	4.5mm x 40mm
58-3445	4.5mm x 45mm
58-3450	4.5mm x 50mm
58-3455	4.5mm x 55mm
58-3525	5.5mm x 25mm
58-3530	5.5mm x 30mm
58-3535	5.5mm x 35mm
58-3540	5.5mm x 40mm
58-3545	5.5mm x 45mm
58-3550	5.5mm x 50mm
58-3555	5.5mm x 55mm
58-3560*	5.5mm x 60mm
58-3625	6.5mm x 25mm
58-3630	6.5mm x 30mm
58-3635	6.5mm x 35mm
58-3640	6.5mm x 40mm
58-3645	6.5mm x 45mm
58-3650	6.5mm x 50mm
58-3655	6.5mm x 55mm
58-3660	6.5mm x 60mm
58-3665*	6.5mm x 65mm
58-3670*	6.5mm x 70mm
58-3675*	6.5mm x 75mm
58-3680*	6.5mm x 80mm
58-3725	7.5mm x 25mm
58-3730	7.5mm x 30mm
58-3735	7.5mm x 35mm
58-3740	7.5mm x 40mm
58-3745	7.5mm x 45mm
58-3750	7.5mm x 50mm
58-3755	7.5mm x 55mm
58-3760	7.5mm x 60mm
58-3765*	7.5mm x 65mm
58-3770*	7.5mm x 70mm
58-3775*	7.5mm x 75mm
58-3780*	7.5mm x 80mm
58-3825	8.5mm x 25mm
58-3830	8.5mm x 30mm
58-3835	8.5mm x 35mm
58-3840	8.5mm x 40mm
58-3845	8.5mm x 45mm
58-3850	8.5mm x 50mm
58-3855	8.5mm x 55mm

Self-Tapping Multi-Axial Screws (Cont.)

Part #	Description
58-3860	8.5mm x 60mm
58-3865*	8.5mm x 65mm
58-3870*	8.5mm x 70mm
58-3875*	8.5mm x 75mm
58-3880*	8.5mm x 80mm

Set Screw

Part #	Description
56-2001	Set Screw

5.5 Diameter Lordosed Rods

Part #	Description
54-2040	40mm Rod
54-2050	50mm Rod
54-2060	60mm Rod
54-2070	70mm Rod
54-2080	80mm Rod
54-2090*	90mm Rod
54-2110*	100mm Rod

5.5 Diameter Straight Rods

Part #	Description
55-2040	40mm Rod
55-2050	50mm Rod
55-2060	60mm Rod
55-2070	70mm Rod
55-2080	80mm Rod
55-2090*	90mm Rod
55-2110*	100mm Rod
55-2111	110mm Rod
55-2112	120mm Rod
55-2114	140mm Rod
55-2116	160mm Rod
55-2118	180mm Rod
55-2120	200mm Rod
55-2145	450mm Rod

Lateral Offset Connectors

Part #	Description
55-6315	SFS Lateral Offset - 15mm
55-6320	SFS Lateral Offset - 20mm
55-6325	SFS Lateral Offset - 25mm

Fixed Cross-Connectors

Part #	Description
57-5315	15mm Fixed Cross-Connector
57-5317	17mm Fixed Cross-Connector
57-5319	19mm Fixed Cross-Connector
57-5321	21mm Fixed Cross-Connector
57-5323	23mm Fixed Cross-Connector
57-5325	25mm Fixed Cross-Connector

Multi-Axial Cross-Connectors

Part #	Description
55-5325	25mm
55-5330	30mm
55-5335	35mm
55-5340	40mm
55-5345	45mm
55-5350	50mm
55-5355	55mm
55-5360	60mm
55-5365	65mm
55-5370	70mm
55-5375	75mm
55-5380	80mm

Hook Implants

Part #	Description
57-2001	Set Screw
57-2145	450mm Rod with Hex Ends
57-2160	600mm Rod with Hex Ends
57-3010	Small Pedicle Hook
57-3011	Large Pedicle Hook
57-3020	Angled Left Hook
57-3021	Angled Right Hook
57-3030	Offset Left Hook
57-3031	Offset Right Hook
57-3040	Narrow Thoracic Laminar Hook
57-3041	Wide Thoracic Laminar Hook
57-3050	Narrow Lumbar Laminar Hook
57-3051	Wide Lumbar Laminar Hook

Domino/Spacers/Washers/Staples

Part #	Description
55-6003	SFS 3mm Spacer
55-6005	SFS 5mm Spacer
55-6102	SFS 2mm Washer
55-6104	SFS 4mm Washer
55-6106	SFS 6mm Washer
55-6202	SFS 2mm Staple
55-6204	SFS 4mm Staple
55-6206	SFS 6mm Staple
55-6420	5.5 to 5.5mm Axial Rod Connector (Spline Drive)
65-6425	3.0 to 5.5mm Axial Rod Connector
55-6805	5.5 x 5.5mm Side By Side Top Loading Rod Connector
65-6405	3.0 x 5.5mm Side by Side Front Loading Rod Connector

Mono-Axial Screws

Part #	Description
55-4425	4.5mm x 25mm
55-4430	4.5mm x 30mm
55-4435	4.5mm x 35mm
55-4440	4.5mm x 40mm
55-4445	4.5mm x 45mm
55-4450	4.5mm x 50mm
55-4455	4.5mm x 55mm
55-4460*	4.5mm x 60mm
55-4465*	4.5mm x 65mm
55-4470*	4.5mm x 70mm
55-4525	5.5mm x 25mm
55-4530	5.5mm x 30mm
55-4535	5.5mm x 35mm
55-4540	5.5mm x 40mm
55-4545	5.5mm x 45mm
55-4550	5.5mm x 50mm
55-4555	5.5mm x 55mm
55-4560*	5.5mm x 60mm
55-4565*	5.5mm x 65mm
55-4570*	5.5mm x 70mm
55-4575*	5.5mm x 75mm
55-4625	6.5mm x 25mm
55-4630	6.5mm x 30mm
55-4635	6.5mm x 35mm
55-4640	6.5mm x 40mm
55-4645	6.5mm x 45mm
55-4650	6.5mm x 50mm
55-4655	6.5mm x 55mm

Mono-Axial Screws (Cont.)

Part #	Description
55-4660	6.5mm x 60mm
55-4665*	6.5mm x 65mm
55-4670*	6.5mm x 70mm
55-4675*	6.5mm x 75mm
55-4680*	6.5mm x 80mm
55-4725	7.5mm x 25mm
55-4730	7.5mm x 30mm
55-4735	7.5mm x 35mm
55-4740	7.5mm x 40mm
55-4745	7.5mm x 45mm
55-4750	7.5mm x 50mm
55-4755	7.5mm x 55mm
55-4760	7.5mm x 60mm
55-4765*	7.5mm x 65mm
55-4770*	7.5mm x 70mm
55-4775*	7.5mm x 75mm
55-4780*	7.5mm x 80mm
55-4825	8.5mm x 25mm
55-4830	8.5mm x 30mm
55-4835	8.5mm x 35mm
55-4840	8.5mm x 40mm
55-4845	8.5mm x 45mm
55-4850	8.5mm x 50mm
55-4855	8.5mm x 55mm
55-4860	8.5mm x 60mm
55-4865*	8.5mm x 65mm
55-4870*	8.5mm x 70mm
55-4875*	8.5mm x 75mm
55-4880*	8.5mm x 80mm

Reduction Screws – Multi-Axial

Part #	Description
59-3425	4.5mm x 25mm
59-3430	4.5mm x 30mm
59-3435	4.5mm x 35mm
59-3440	4.5mm x 40mm
59-3445	4.5mm x 45mm
59-3450	4.5mm x 50mm
59-3455	4.5mm x 55mm
59-3460*	4.5mm x 60mm
59-3465*	4.5mm x 65mm
59-3470*	4.5mm x 70mm
59-3525	5.5mm x 25mm
59-3530	5.5mm x 30mm
59-3535	5.5mm x 35mm
59-3540	5.5mm x 40mm
59-3545	5.5mm x 45mm

Reduction Screws – Multi-Axial (Cont.)

Part #	Description
59-3550	5.5mm x 50mm
59-3555	5.5mm x 55mm
59-3560*	5.5mm x 60mm
59-3565*	5.5mm x 65mm
59-3570*	5.5mm x 70mm
59-3575*	5.5mm x 75mm
59-3625	6.5mm x 25mm
59-3630	6.5mm x 30mm
59-3635	6.5mm x 35mm
59-3640	6.5mm x 40mm
59-3645	6.5mm x 45mm
59-3650	6.5mm x 50mm
59-3655	6.5mm x 55mm
59-3660	6.5mm x 60mm
59-3665*	6.5mm x 65mm
59-3670*	6.5mm x 70mm
59-3675*	6.5mm x 75mm
59-3680*	6.5mm x 80mm
59-3725	7.5mm x 25mm
59-3730	7.5mm x 30mm
59-3735	7.5mm x 35mm
59-3740	7.5mm x 40mm
59-3745	7.5mm x 45mm
59-3750	7.5mm x 50mm
59-3755	7.5mm x 55mm
59-3760	7.5mm x 60mm
59-3765*	7.5mm x 65mm
59-3770*	7.5mm x 70mm
59-3775*	7.5mm x 75mm
59-3780*	7.5mm x 80mm
59-3825	8.5mm x 25mm
59-3830	8.5mm x 30mm
59-3835	8.5mm x 35mm
59-3840	8.5mm x 40mm
59-3845	8.5mm x 45mm
59-3850	8.5mm x 50mm
59-3855	8.5mm x 55mm
59-3860	8.5mm x 60mm
59-3865*	8.5mm x 65mm
59-3870*	8.5mm x 70mm
59-3875*	8.5mm x 75mm
59-3880*	8.5mm x 80mm

Reduction Screws – Mono-Axial

Part #	Description
59-4425	4.5mm x 25mm
59-4430	4.5mm x 30mm
59-4435	4.5mm x 35mm
59-4440	4.5mm x 40mm
59-4445	4.5mm x 45mm
59-4450	4.5mm x 50mm
59-4455	4.5mm x 55mm
59-4460*	4.5mm x 60mm
59-4465*	4.5mm x 65mm
59-4470*	4.5mm x 70mm
59-4525	5.5mm x 25mm
59-4530	5.5mm x 30mm
59-4535	5.5mm x 35mm
59-4540	5.5mm x 40mm
59-4545	5.5mm x 45mm
59-4550	5.5mm x 50mm
59-4555	5.5mm x 55mm
59-4560*	5.5mm x 60mm
59-4565*	5.5mm x 65mm
59-4570*	5.5mm x 70mm
59-4575*	5.5mm x 75mm
59-4625	6.5mm x 25mm
59-4630	6.5mm x 30mm
59-4640	6.5mm x 40mm
59-4645	6.5mm x 45mm
59-4650	6.5mm x 50mm
59-4655	6.5mm x 55mm
59-4660	6.5mm x 60mm
59-4665*	6.5mm x 65mm
59-4670*	6.5mm x 70mm
59-4675*	6.5mm x 75mm
59-4680*	6.5mm x 80mm
59-4725	7.5mm x 25mm
59-4730	7.5mm x 30mm
59-4735	7.5mm x 35mm
59-4740	7.5mm x 40mm
59-4745	7.5mm x 45mm
59-4750	7.5mm x 50mm
59-4755	7.5mm x 55mm
59-4760	7.5mm x 60mm
59-4765*	7.5mm x 65mm
59-4770*	7.5mm x 70mm
59-4775*	7.5mm x 75mm
59-4780*	7.5mm x 80mm
59-4825	8.5mm x 25mm
59-4830	8.5mm x 30mm
59-4835	8.5mm x 35mm

Reduction Screws – Mono-Axial (Cont.)

Part #	Description
59-4840	8.5mm x 40mm
59-4845	8.5mm x 45mm
59-4850	8.5mm x 50mm
59-4855	8.5mm x 55mm
59-4860	8.5mm x 60mm
59-4865*	8.5mm x 65mm
59-4870*	8.5mm x 70mm
59-4875*	8.5mm x 75mm
59-4880*	8.5mm x 80mm



Manufactured by:
Orthofix
3451 Plano Parkway
Lewisville, Texas 75056-9453 USA
214-937-2000



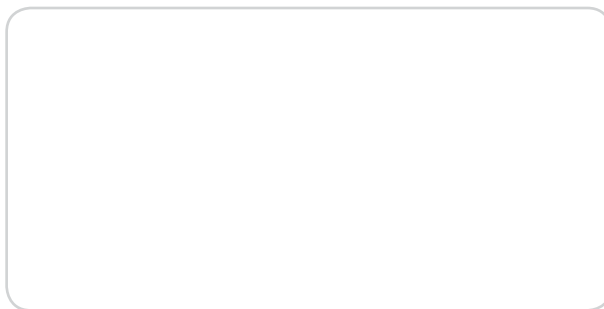
0086 **RX Only**



1.888.298.5700

www.orthofix.com

Distributed by:



Caution: Federal law (USA) restricts this device to sale by or on the order of a physician. Proper surgical procedure is the responsibility of the medical professional. Operative techniques are furnished as an informative guideline. Each surgeon must evaluate the appropriateness of a technique based on his or her personal medical credentials and experience. Please refer to the "Instructions for Use" supplied with the product for full information on indications for use, contraindications, warnings, precautions, adverse reactions information and sterilization.



ORTHOFIX®